



AML34FBA4AC01



AML34 Series Rocker Switch, DPST, 2 position, Silver Contacts, 0.187 in x 0.02 in (Solder or Quick-Connect), 1 Lamp Circuit, Rectangle, Snap-in Panel

Actual product appearance may vary.

Features

- Same circuitry and electrical rating as power duty paddle switches
- 1 or 2 poles
- Maintained on, off position operation
- Neon lamp circuitry can be isolated or Integral circuits
- Up to 15 A, 125 or 250 Vac
- UL recognized
- CSA certified

Potential Applications

- Industrial machinery and equipment
- Commercial aviation
- Construction equipment
- Test instruments
- Agricultural machinery
- Process control
- Medical instrumentation

Description

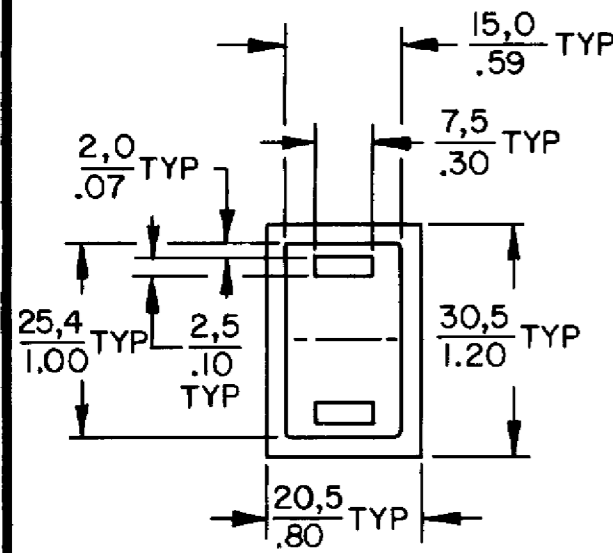
Electronic control rectangular power duty rocker switches with black bezels. Switches have maintained on and off operating action. Neon lamp available with integral lamps on two-pole switches; isolated lamp circuitry only on one-pole switches. Solder or quick connect terminals are 0.187 in by 0.020 in dimension. Rocker operators ordered separately.

Product Specifications	
Circuitry/Operating action	<div style="display: flex; justify-content: space-around; align-items: center;"> <div style="text-align: center;"> <p>Keyway Position</p> </div> <div style="text-align: center;"> <p>Opposite Keyway Position</p> </div> </div>
Product Type	MICRO SWITCH™ Rocker
Housing Type	1 Lamp Circuit, Rectangle
Contact Type	Silver Contacts
Circuitry	DPST
Action	2 position
Mounting	Snap-in Panel
Lamp Type	Incandescent, No Lamp Installed

Termination	0.187 in x 0.02 in (Solder or Quick-Connect)
Availability	Global
UNSPSC Code	302370
UNSPSC Commodity	302119 Switches and controls and relays
Series Name	AML34

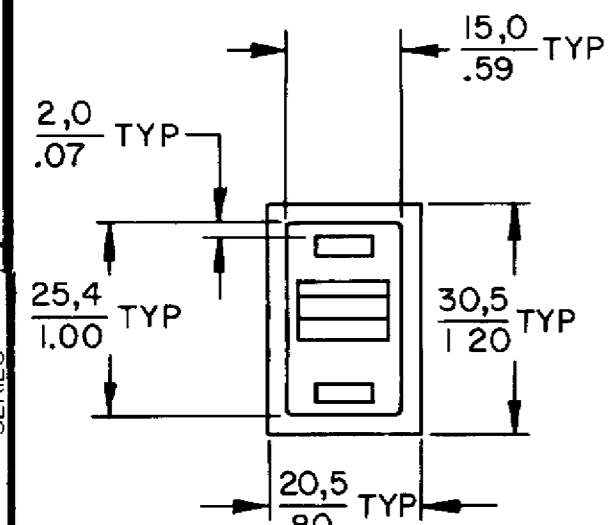
SOLID STATE SWITCH AML 10 SERIES AND ELECTRONIC CONTROL AML 20 SERIES

ACTUATORS FOR AML 10 SERIES & AML 20 SERIES



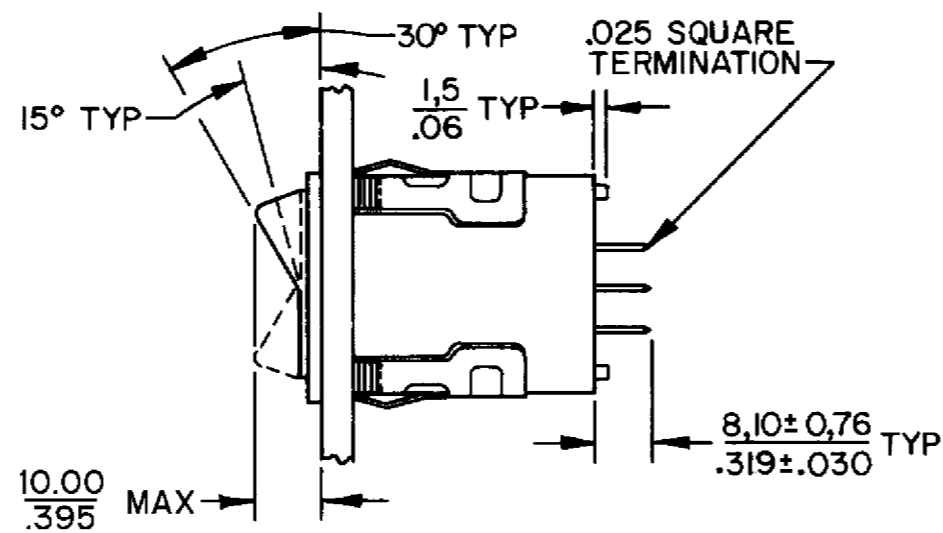
LED

NON ILLUMINATED AND INCANDESCENT

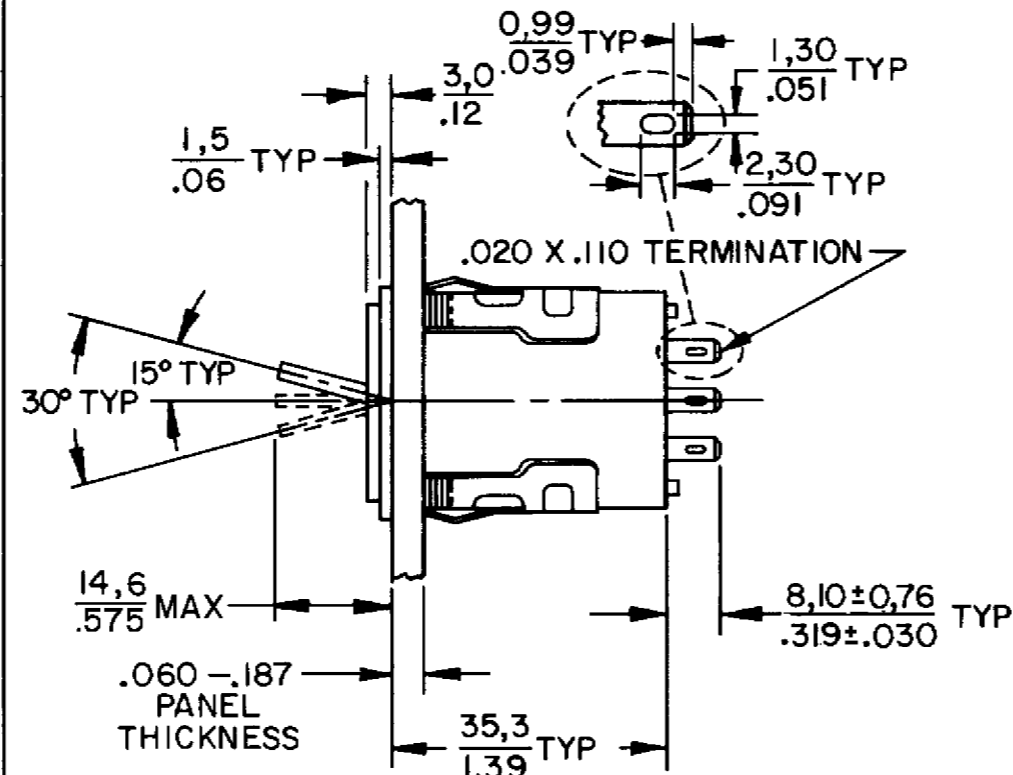


LED

NON ILLUMINATED AND INCANDESCENT

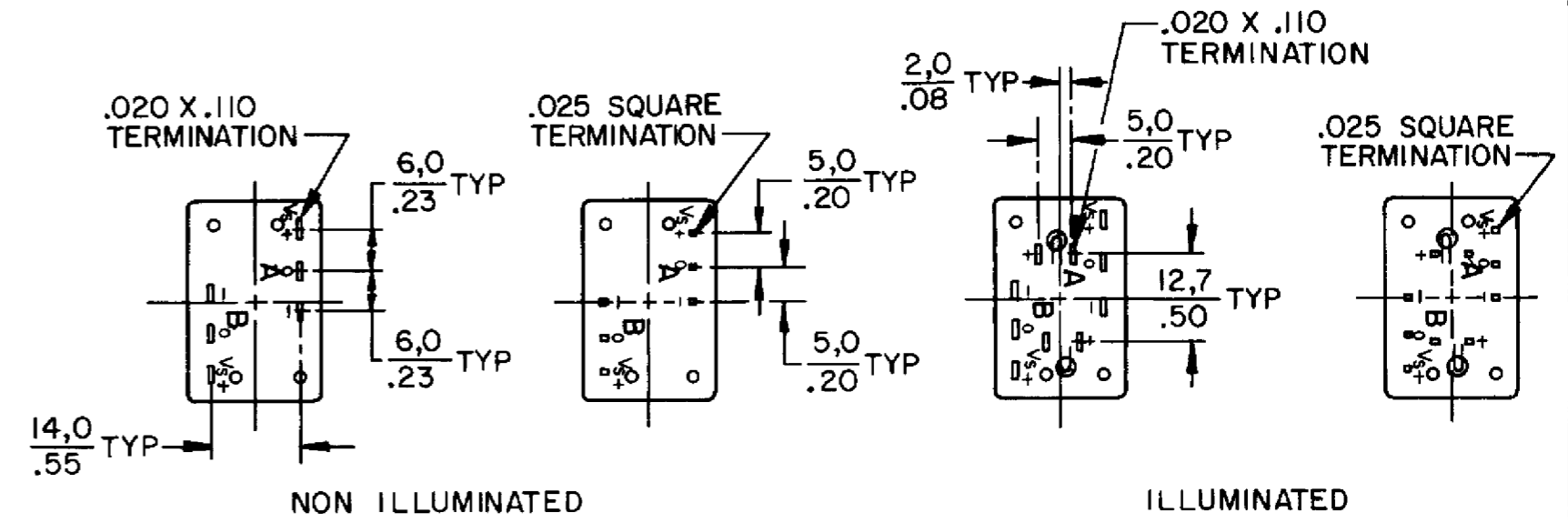


ROCKER



PADDLE

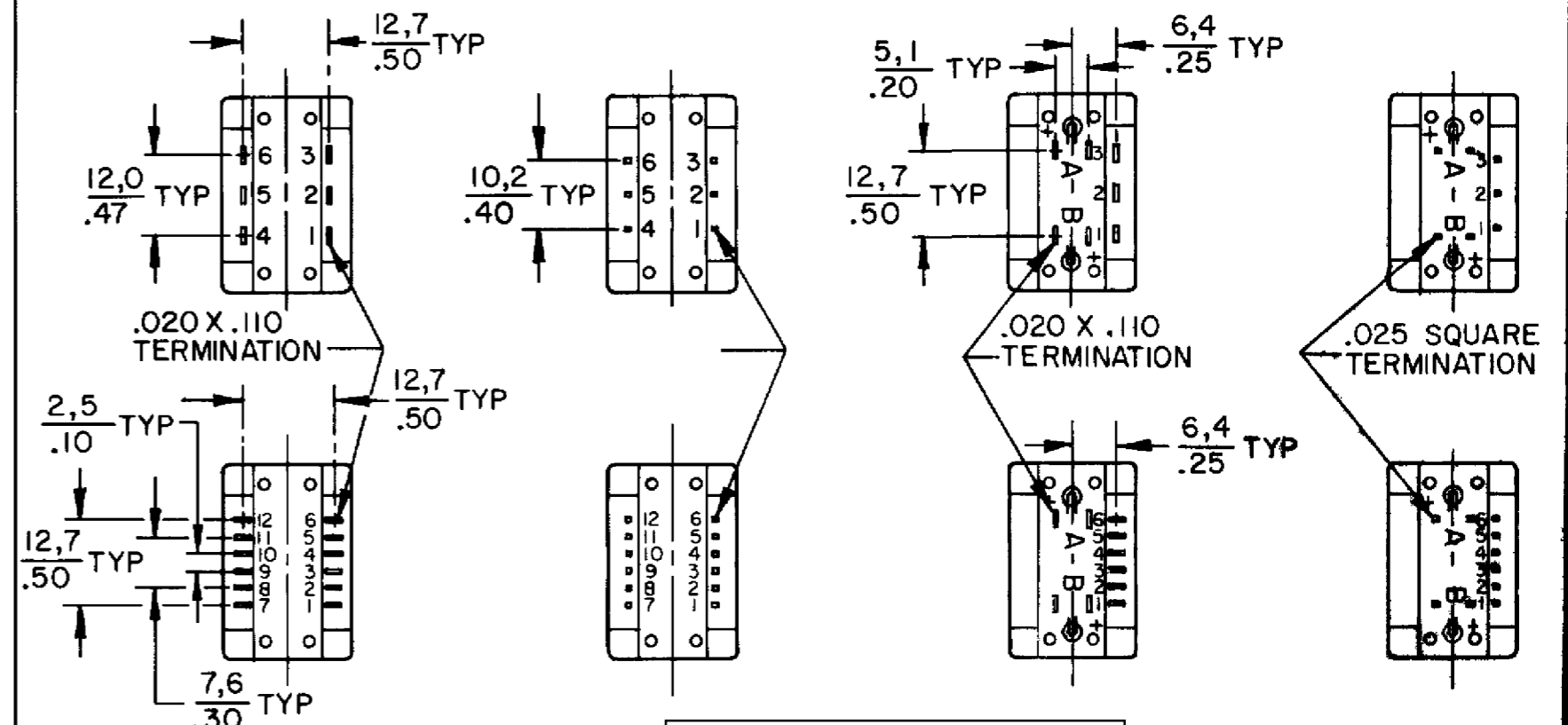
TERMINATION AML 10 SERIES



NON ILLUMINATED

ILLUMINATED

TERMINATION AML 20 SERIES



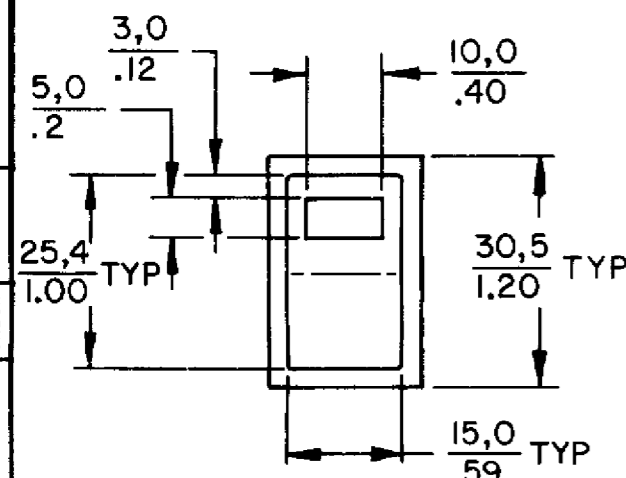
NON ILLUMINATED

AML24GBE2CA03-001 FAA-PMA

ILLUMINATED

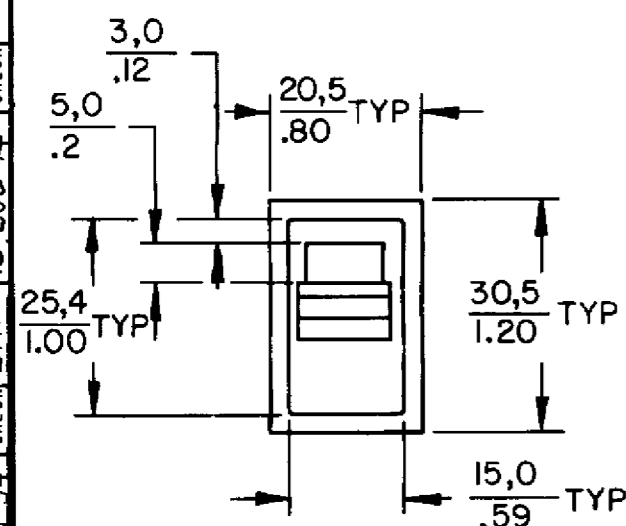
POWER SWITCH AML 30 SERIES

ACTUATORS FOR AML 30 SERIES



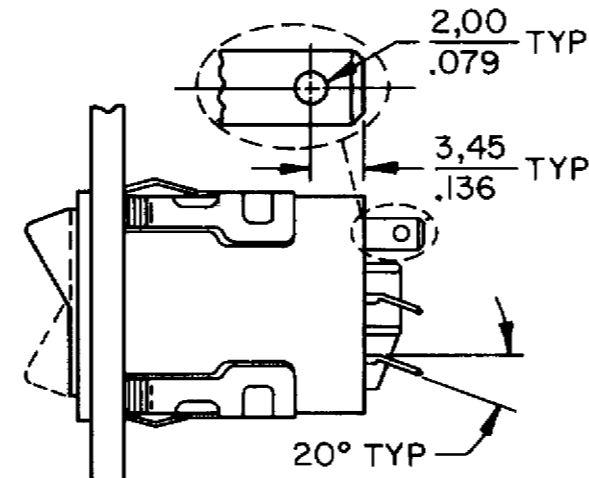
NEON

NON ILLUMINATED AND INCANDESCENT

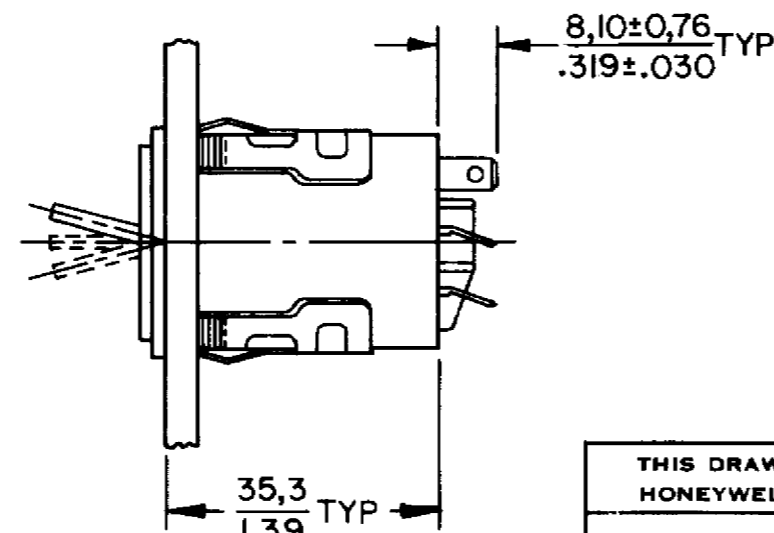


NEON

NON ILLUMINATED AND INCANDESCENT



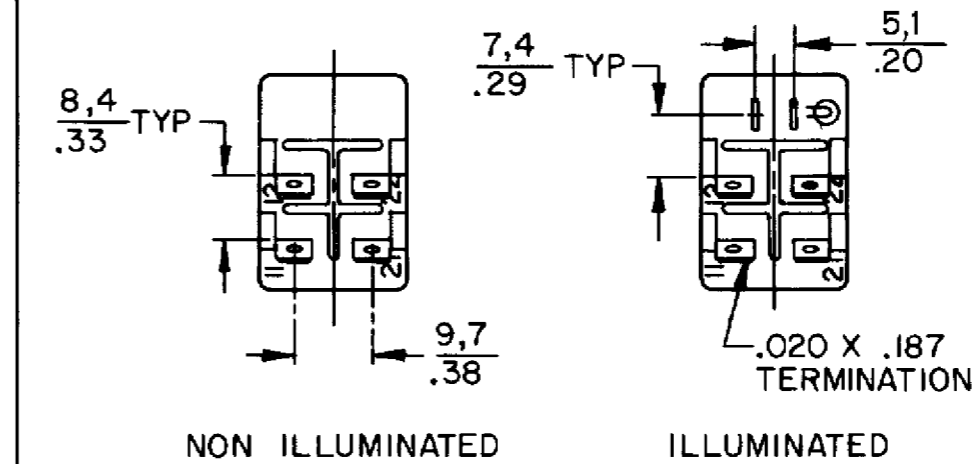
ROCKER



PADDLE

MASTER REDUCED

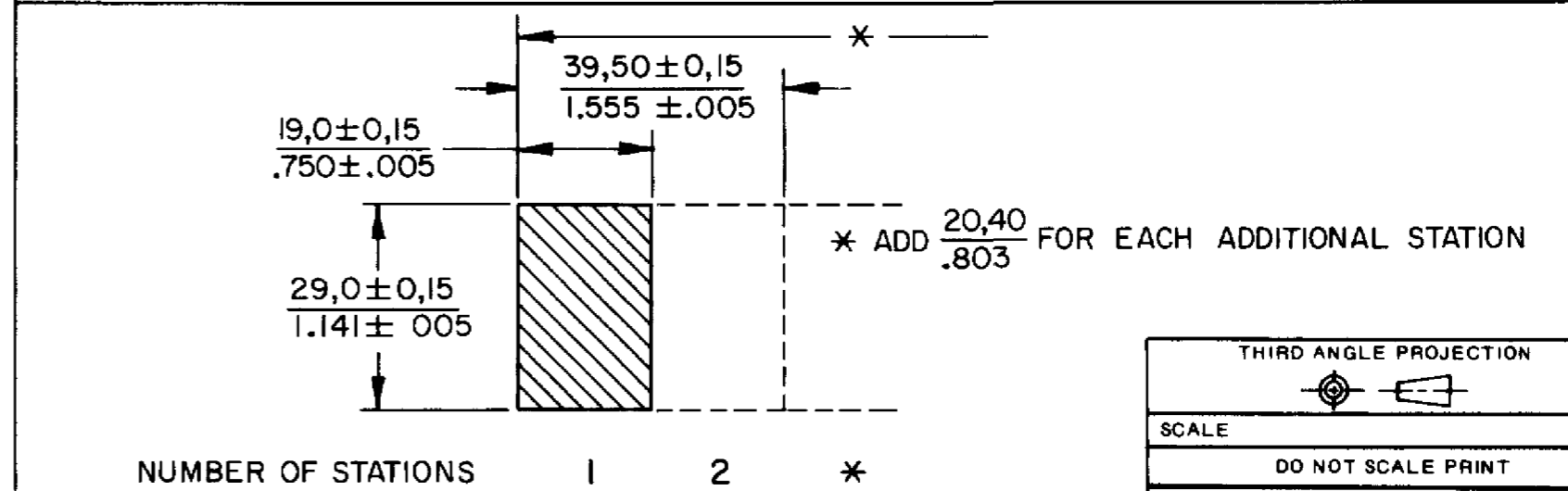
TERMINATION AML 30 SERIES



NON ILLUMINATED

ILLUMINATED

PANEL CUTOUTS FOR AML 10, 20 & 30 SERIES



THIRD ANGLE PROJECTION

SCALE

DO NOT SCALE PRINT

UNLESS OTHERWISE SPECIFIED TOLERANCES ARE

ONE PLACE	(.0)	± .030
TWO PLACE	(.00)	± .015
THREE PLACE	(.000)	± .005
ANGLES		±

WEIGHT

THIS DRAWING COVERS A PROPRIETARY ITEM AND IS THE PROPERTY OF MICRO SWITCH A DIVISION OF HONEYWELL THIS DRAWING IS NOT TO BE COPIED OR USED WITHOUT THE APPROVAL OF MICRO SWITCH

MICRO SWITCH
a Honeywell Division

AML PADDLE AND
ROCKER

AML10 20 30
SERIES CHART 1

FED MFG CODE 91929

CATALOG LISTING
PAGE 1 OF 1
RELEASE NO. CO-78498
REPLACES
AML 10, 20 & 30 SERIES
ISSUE 13
REVISIONS
A 207432
14 FEB 03
B 0000447
C 1
2 JUN 03
DRAWN
SAD 10 JUN 94
CHECK JAF 12 JUL 94
CHECK